

**LATEX FREE**



CE  
0476

CE  
0120

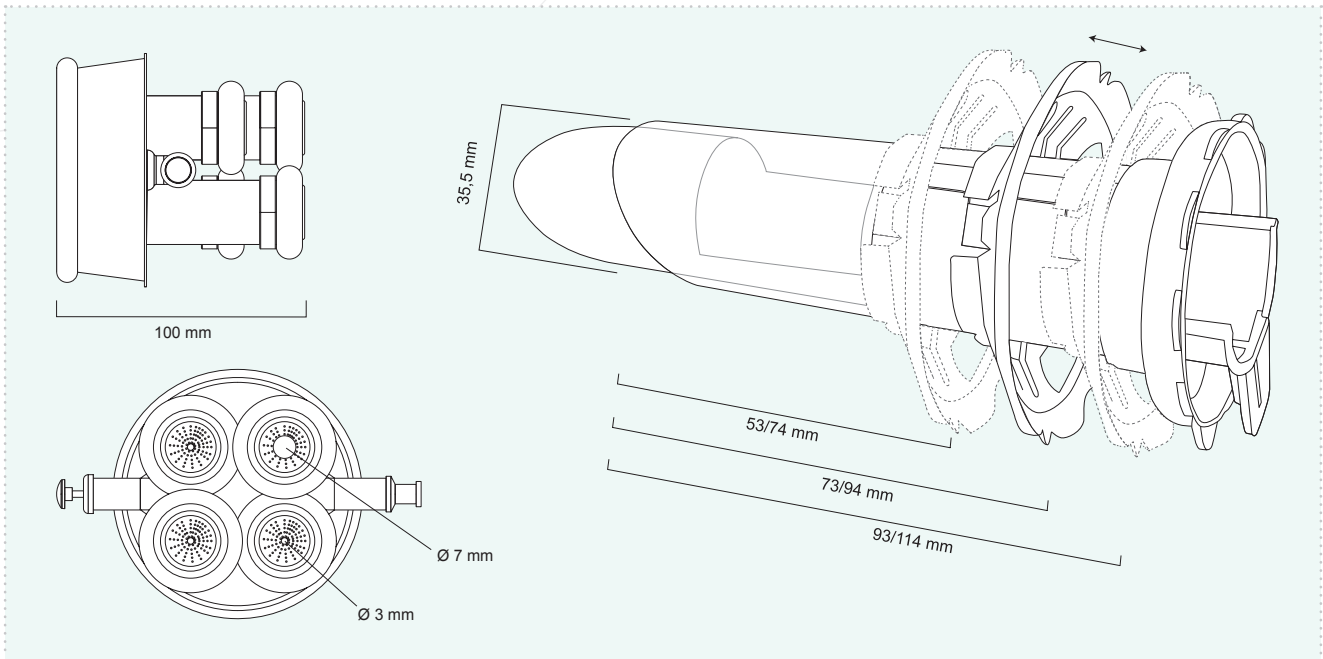
**ARAMIS** is a disposable surgical device dedicated to the transanal minimally invasive surgery of rectal pathologies such as polyps, T1 rectal cancers, anastomotic stenosis, complex fistulas.


It consists of two main elements: a Nelis glove-port that performs the function of laparoscopic interface and a Sapi Med flute-beaked rectoscope, equipped with an introducer spindle and a notched rotating ring for the adjustment of the insertion depth. The rectoscope (114x35,5 mm) has a chamber with decreasing diameter with inner lumen of 35.5 mm minimum, a flute-beaked distal end with an angle of 45° and a wider circular proximal end, compatible with the Nelis glove-port and designed for an optimal insertion and disengagement. On the outer surface in the vicinity of the proximal end there


is a series of grooves on three levels, interconnected by a sliding track. This system allows the ring to slide from one level to the other and to be locked in the chosen position, so as to make possible the adjustment of the insertion depth according to the distance between the lesion and the external anal margin.

The fixing to the perianal skin is made possible by the appropriate windows placed on the ring. The configuration of the ARAMIS system and the field of vision amplitude (360°) facilitate the patient's decubitus regardless of the location of the lesion to be treated.

The combination of the Sapi Med rectoscope with the Nelis glove-port also makes the ARAMIS system usable both with standard laparoscopic instrumentation (3-15 mm) and with TEM angled instrumentation.



REF A.4025ST ARAMIS 		LATEX FREE
Material	Rectoscope and introducer: Styrolux • Ring: high density polyethylene	
Type	Flute beak with 45° cutting angle	
Length	114 mm	
Minimum internal diameter	35,5 mm	
Insertion depths	93/114 mm • 73/94 mm • 53/74 mm	
Fixation slots	4	
Manufacturer	Sapi Med - Italia	

REF 431-AS GLOVE-PORT 		LATEX FREE
Material	Polyurethane	
Type	Single port access Glove-port A-type	
Fixation ring diameter	50,5 mm	
Access port number	4	
Type access port	Independent, transparent, with high elasticity valve	
Insufflation valve	1 independent	
Fumes suction/discharge valve	1 independent	
Insertion compatibility	ARAMIS rectoscope	
Laparoscopic instruments compatibility	3 - 15 mm	
Maximum pressure tightness	Maximum pressure 0.04 bar / atm	
Manufacturer	Nelis - Korea	
Distributed by	Sapi Med - Italia	

**Packaging:** no. 3 pieces

**Sterilized:** by ETO